

MASI68 I/O MODUL

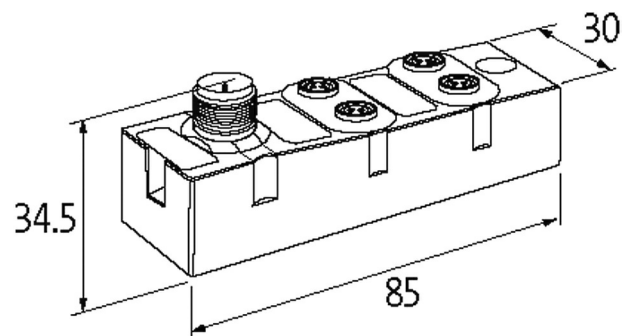
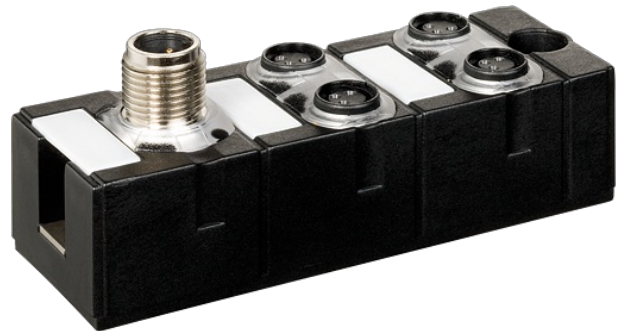
2 digital inputs and 2 digital outputs

Compact module

DI2 - 0.1 A DO2 - 0.5 A (C) - 4× M8 (AB)

Connection cables are in the online shop under "Connection Technology".

Housing fully potted.

Illustration

Product may differ from Image

Approvals**Input**

Type	for 3-wire sensors or mechanical switches, PNP
Sensor supply US	max. 100 mA from AS-Interface (short-circuit and overload protected)

Output

Supply voltage	24 V DC external (18...30.2 V DC) EN 61131-2
Switching current per output	max. 0.5 A (short-circuit and overload protected)
Total current	max. 1.5 A

Connections

Fieldbus	A-coded
I/O ports	M8, 3-pole

General data

Protection	IP68
------------	------

Mounting method	screw fixing
Temperature range	-20...+60 °C (storage temperature -20...+70 °C)
Dimensions H×W×D	85×30×34.5 mm
Technical Data	
Bus voltage (AS-Interface)	26.5...31.6 V DC
Addressing	via master or M12 connection and programming device
Profile (IO/ID/ID2 code)	S-7.A.E
Address range	1...62 (1...31 A or B)
Total current	max. 250 mA
Diagnostic	
Communication status	via LED
Diagnostic via LED	per module
Monitoring - no voltage	yes
Commercial data	
country of origin	DE
customs tariff number	85176200
EAN	4048879373524
eClass	27242604
Packaging unit	1